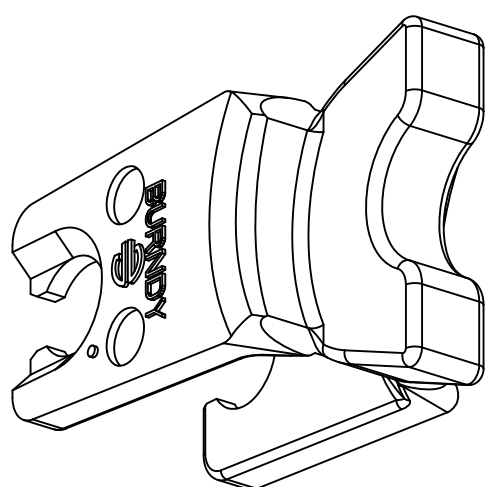
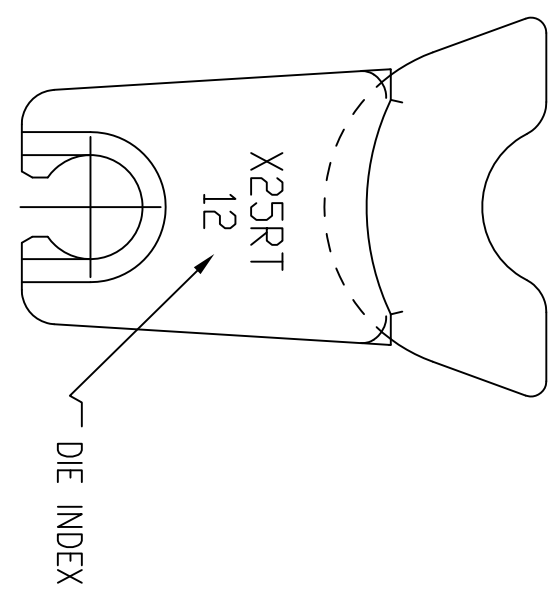
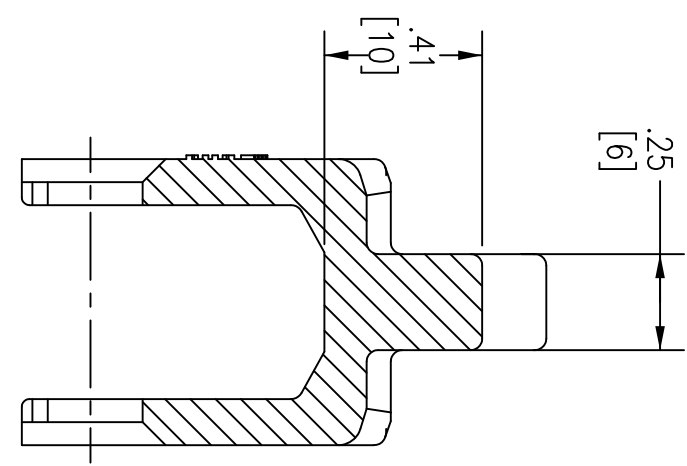
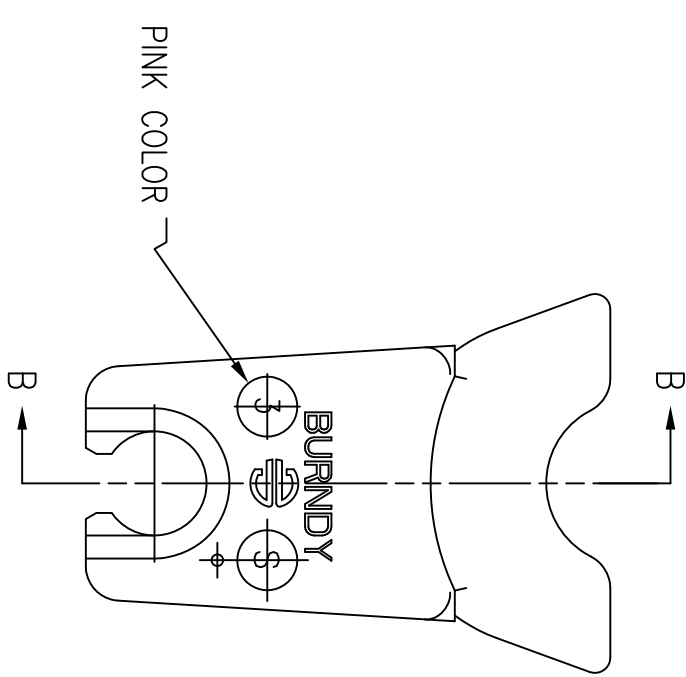
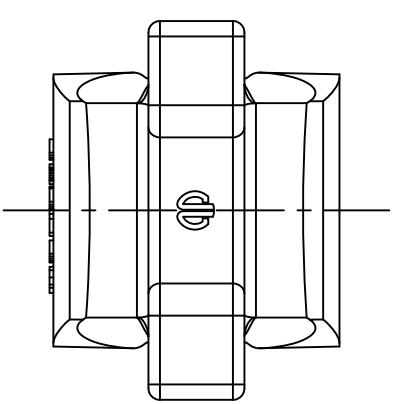


CATALOG NUMBER	DESCRIPTION
HX25RT	1/0, 12 INDEX DIE SET



- NOTES:
1. KIT CONTAINS ONE DIE SET.
  2. MATERIAL: STAINLESS STEEL
  3. FITS HOUR840 COMPRESSION TOOL.
  4. SPECIFICATIONS SUBJECT TO CHANGE WITHOUT NOTICE.

Created on AUTOCAD		DIMENSIONING AND TOLERANCE PER ANSI Y14.5M-1994 UNLESS OTHERWISE SPECIFIED, DIMENSIONS ARE IN INCHES (MM). TOLERANCES .XX = ±.01 (.25) .XXX = ±.005 (.127) .XXXX = ±.0025 (.0635) ANGLE TOL ±1°		PROJECT REFERENCE: <b>2011-041</b>		HUBBELL Hubbell Premise Wiring HUBBELL INCORPORATED (Delaware) 23 CLARA DRIVE, SUITE 103 MYSTIC, CT 06355	
IN ACCEPTING OUR DRAWINGS, BLUPRINTS, OR SUPPORTING DOCUMENTATION FOR QUOTATION OR OTHER PURPOSES, YOU AGREE NOT TO DISCLOSE TO OTHERS THE IDEAS, INFORMATION, OR DESIGNS SHOWN HEREIN, AND THAT YOU WILL MAKE NO USE OF SAME WITHOUT PERMISSION		MATERIAL: SEE NOTES		DRAWN BY: C. GRIBBLE 10/10/12		TITLE: DIE SET, 1/0, 12 INDEX X DIE SET FAMILY	
APPROVED BY:		CHECKED BY:		SIZE C		DRAWING NO. HWS14180C	
REV. 1		ECN 18024		DATE 12/10/12		INITIAL RELEASE	
CHG BY		APPD BY		MMA		DESCRIPTION	
SCALE: N/A		SHEET 1 OF 1		REV. 1			